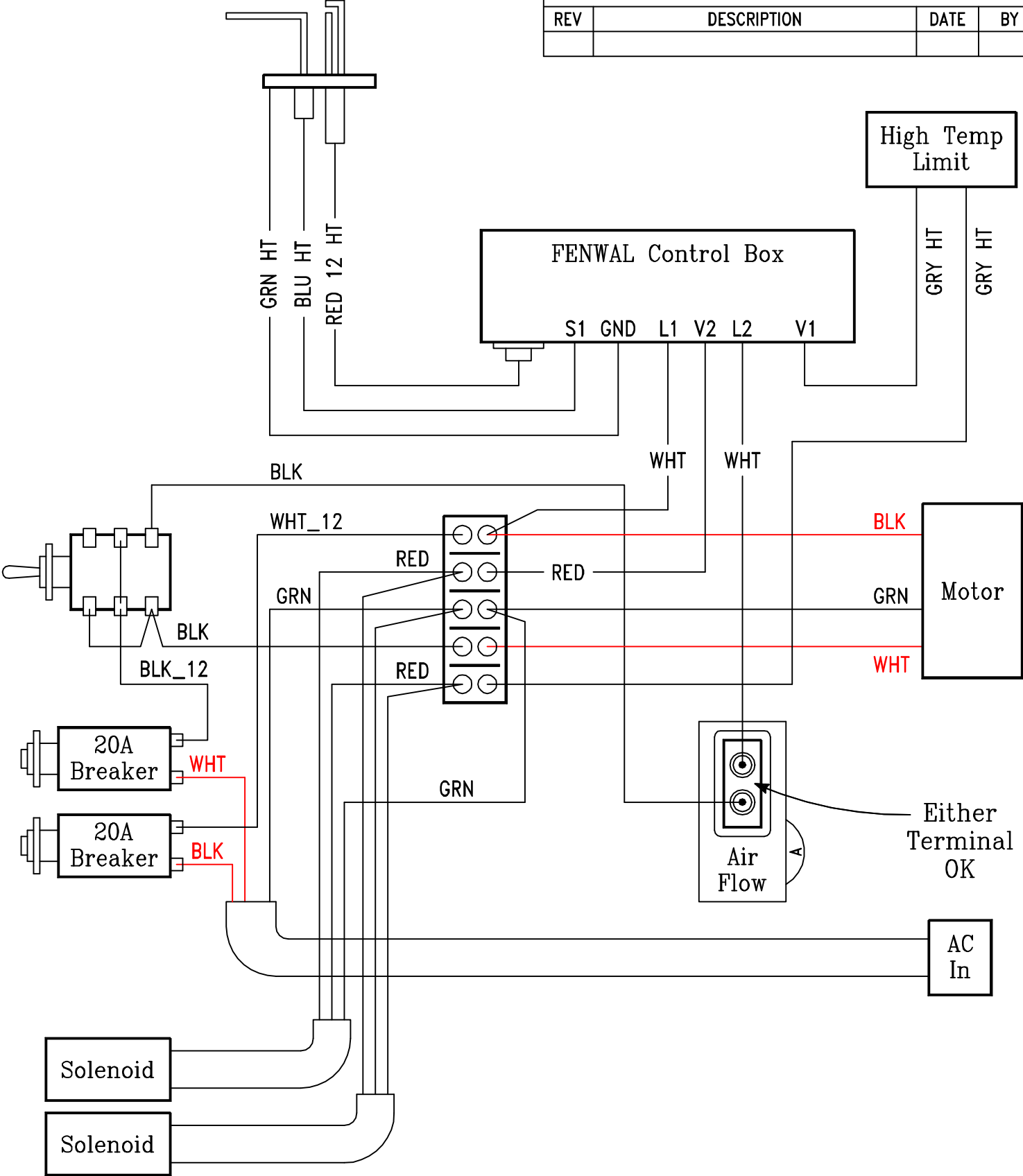


REVISIONS

REV	DESCRIPTION	DATE	BY



The two sets of wires, shown in red have been reversed.
 Be sure to UN-PLUG the Heater before changing the wiring.